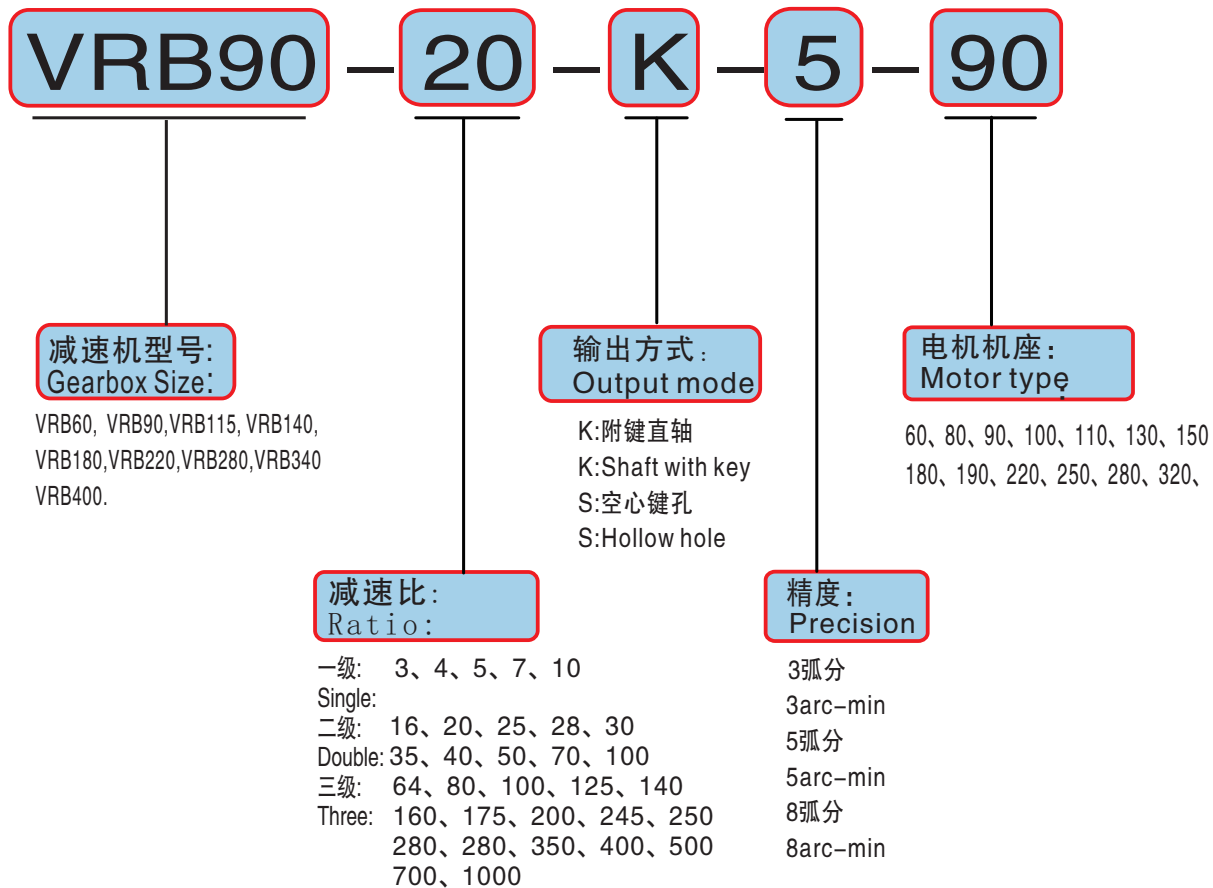


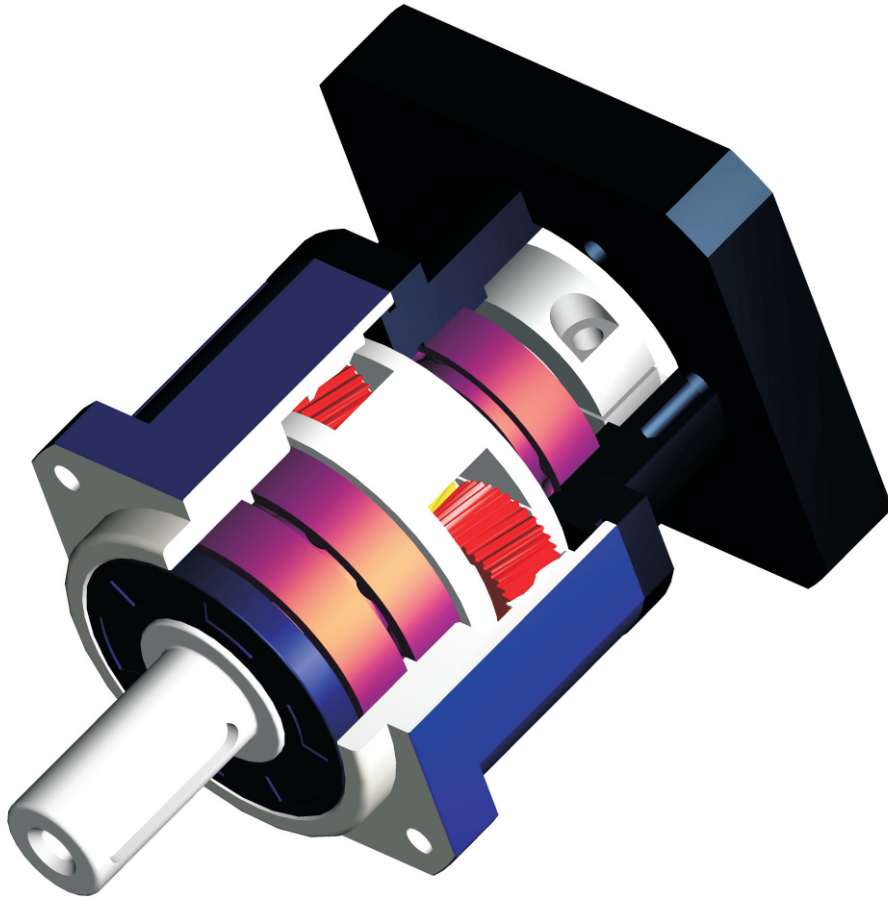
订货型号表示： Ordering representation



减速机工况应用选择表 Application selection of gear reducer						
		使用系数(fs) Use coefficient(fs)				
负载类型 Load type	每小时启动次数Z Start times per hour Z	每日运行时间(h) Daily running time(h)				
		h≤4	4≤h≤8	8≤h≤12	12≤h≤16	16≤h≤24
平稳负载 Steady load	Z≤10	0.9	1.0	1.1	1.4	1.8
	10≤Z≤30	1.0	1.2	1.3	1.6	2.0
	30≤Z≤100	1.2	1.4	1.5	1.8	2.2
中等冲击负载 Medium impact load	Z≤10	1.2	1.4	1.5	1.8	2.2
	10≤Z≤30	1.4	1.6	1.65	2.0	2.5
	30≤Z≤100	1.6	1.8	2.0	2.2	2.8
冲击重载 Shock Overload	Z≤10	1.6	1.8	2.0	2.2	2.8
	10≤Z≤30	1.8	2.0	2.2	2.4	3.0
	30≤Z≤100	2.0	2.3	2.5	2.7	3.3

注：输出惯性大时,请加大一个型号选用；连续运转时工作寿命将降低一半。
Note: The output inertia is large, please increase the selection of a model;
Continuous operation working life will be reduced by half.

VRB系列行星减速机 VRB series planetary reducer



产品特点：高精度、承载能大、速比多、寿命长、噪音小、免维护。

Product features: High precision, high bearing capacity, high speed ratio, Long life, low noise, maintenance free.

输入种类：交流伺服马达、直流伺服马达、步进马达。

Type: AC servo motor, DC servo motor, stepping motor.

应用领域：机床、军工、新能源设备、工业机器人、印刷设备、自动组装机、等高精度场合的应用。

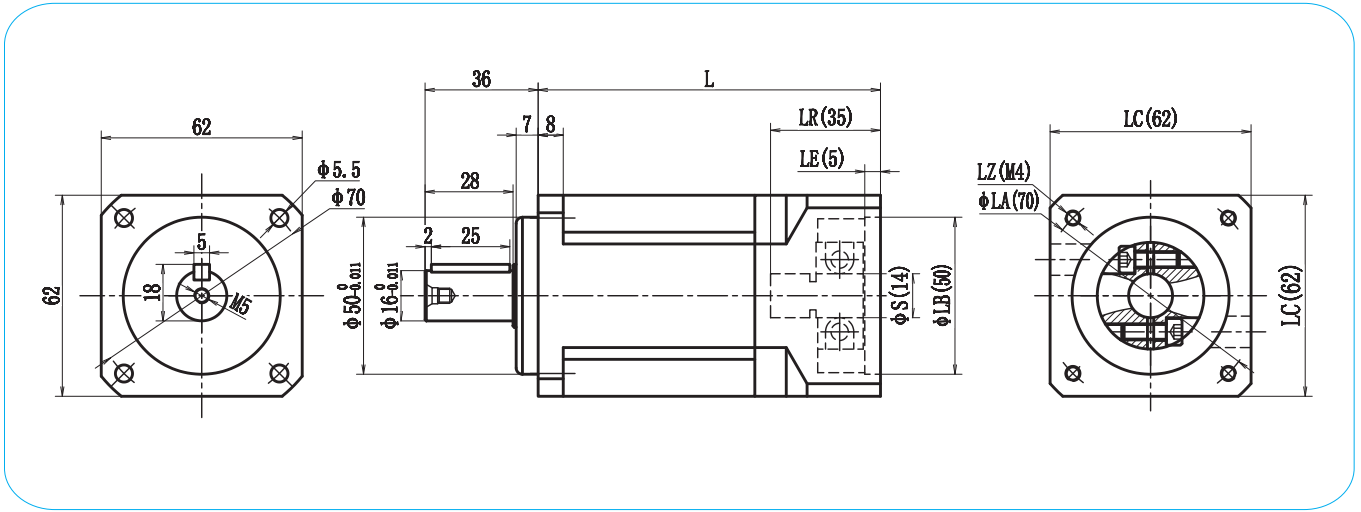
Application fields: Machine tools, military industry, newenergy equipment, industrial robots, printing equipment, automatic assembly line, and other high precision applications.

减速机性能参数 Gear performance parameters

规格 Specifications	单位 Unit	级数 Series	速比 Ratio	VRB60	VRB90	VRB115	VRB142	VRB180	VRB220	VRB280	VRB340	VRB400
额定承受扭矩 T2N Rated torque T2B	Nm	L1	3	28	130	240	450	1100	1750	4500	8200	14500
			4	52	165	320	650	1650	2650	6500	9800	19000
			5	52	165	320	650	1650	2650	6500	8500	16000
			7	36	120	210	500	1250	1850	3900	5000	7600
			9	—	—	—	—	—	—	2500	3800	5300
		10	18	75	165	320	700	1150	—	—	—	
		L2	12	28	130	240	450	1100	1750	4500	8200	14500
			15	28	130	240	450	1100	1750	4500	8200	14500
			16	52	165	320	650	1650	2650	6500	9800	19000
			20	52	165	320	650	1650	2650	6500	9800	19000
			25	52	165	320	650	1650	2650	6500	9800	16000
			28	52	165	320	650	1650	2650	6500	9800	19000
			30	28	130	240	450	1100	1750	4500	-	-
			35	52	165	320	650	1650	2650	6500	9800	16000
			40	52	165	320	650	1650	2650	6500	-	-
			45	-	-	-	-	-	-	-	9800	16000
			50	52	165	320	650	1650	2650	6500	-	-
		70	36	120	210	500	1250	1850	3900	-	-	
		100	18	75	165	320	700	1150	-	-	-	
		L3	64	52	165	320	650	1650	2650	6500	9800	19000
			80	52	165	320	650	1650	2650	6500	9800	19000
			100	52	165	320	650	1650	2650	6500	9800	19000
			125	52	165	320	650	1650	2650	6500	9800	16000
			160	52	165	320	650	1650	2650	6500	9800	19000
			175	52	165	320	650	1650	2650	6500	9800	16000
			200	52	165	320	650	1650	2650	6500	9800	19000
			250	52	165	320	650	1650	2650	6500	9800	16000
			280	52	165	320	650	1650	2650	6500	9800	19000
300	28		130	240	450	1100	1750	4500	-	-		
350	52		165	320	650	1650	2650	6500	9800	16000		
400	52		165	320	650	1650	2650	6500	-	-		
500	52	165	320	650	1650	2650	6500	-	-			
700	38	120	210	500	1250	1850	3900	-	-			
1000	18	75	165	320	700	1150	-	-	-			
最大承受扭矩T2B Maximum torque T2B	Nm	L1 L2 L3	3-1000	2.0倍额定输出扭矩 2.0 times the rated output torque								
额定输入转数n1N Rated speed n1N	R/min	L1 L2 L3	3-1000	3000	3000	3000	2000	2000	2000	1500	1500	1500
背隙 Back clearance	arcmin	L1	3-10	≤3	≤3	≤3	≤3	≤3	≤3	≤5	≤5	≤5
		L2	12-100	≤6	≤6	≤6	≤6	≤6	≤6	≤10	≤10	≤10
		L3	64-1000	≤8	≤8	≤8	≤8	≤8	≤8	≤15	≤15	≤15
容许径向力F1 Allowable radial force	N	L1 L2 L3	3-1000	500	1000	3000	5000	8000	12000	20000	30000	50000
容许轴向力F2 Allowable axial force	N	L1 L2 L3	3-1000	300	500	1000	2000	8000	20000	30000	50000	80000
效率 η Efficiency	%	L1	3-10	97%	97%	97%	97%	97%	97%	97%	97%	97%
		L2	9-100	94%	94%	94%	94%	94%	94%	94%	94%	94%
		L3	64-1000	91%	91%	91%	91%	91%	91%	91%	91%	91%
重量 Weight	kg	L1	3-10	1.3	3.6	7.5	16.0	28.0	48.0	110	160.0	250.0
		L2	9-100	1.5	4.2	9.5	20.0	32.0	60.0	135	190.0	340.0
		L3	64-1000	1.8	4.8	11.5	24.0	36.0	72.0	150	225.0	420.0
噪音 Noise	DB	L1 L2 L3	3-1000	≤55	≤55	≤60	≤65	≤70	≤70	≤75	≤75	≤75

VRB60外形图

VRB60 Appearance Figure

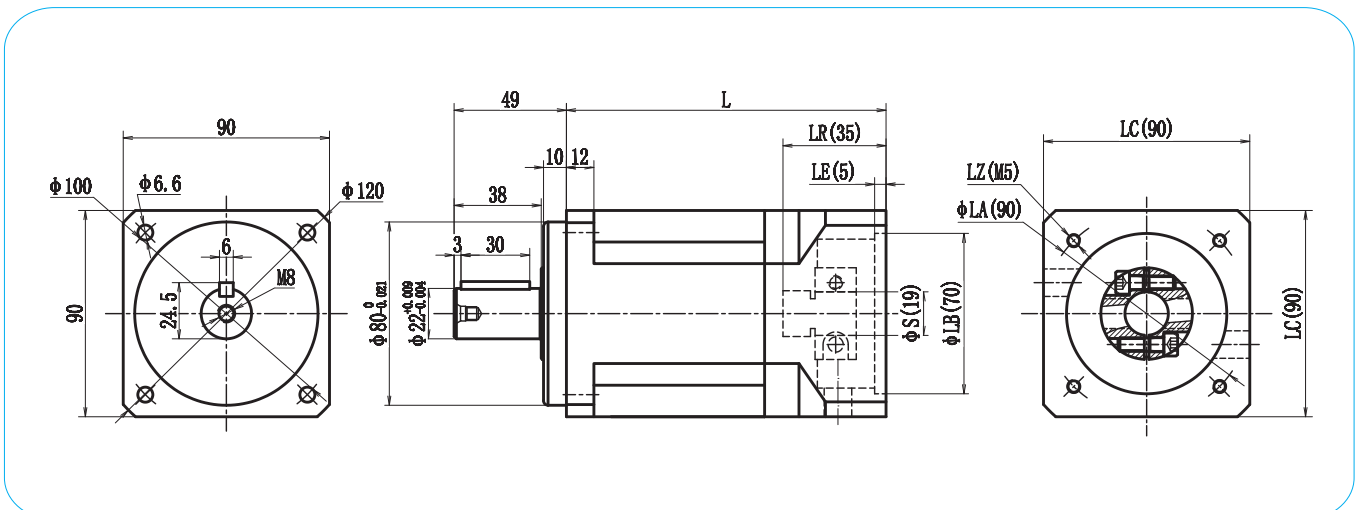


电机机座 Motor frame	LA	LZ	S	LB	LR	LE	LC	级数 Series		
								L1	L2	L3
40	45	4-M3	8	30	25	5	40	92	113	134
60	70	4-M4	11/14	50	30	5	60	92	113	134



VRB90外形图

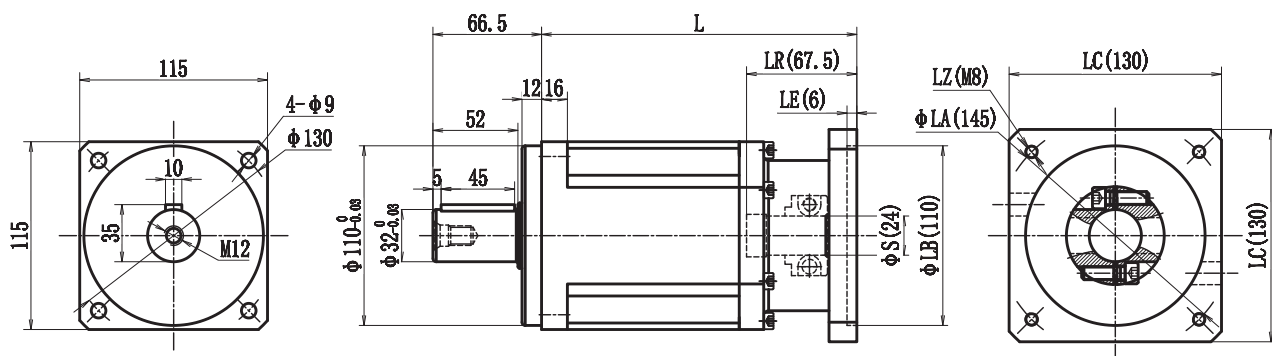
VRB90 Appearance Figure



电机机座 Motor frame	LA	LZ	S	LB	LR	LE	LC	级数 Series		
								L1	L2	L3
60	70	4-M4	11/14	50	30	5	60	116	146	176
80	90	4-M5	19	70	35	5	80	116	146	176
90	100	4-M6	16/19	80	35	5	90	116	146	176

VRB115外形图

VRB115Appearance Figure

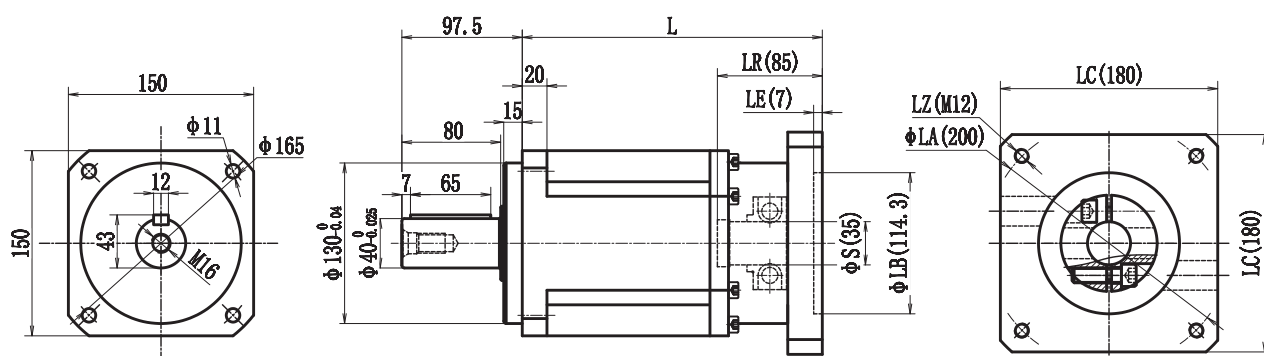


电机机座 Motor frame	LA	LZ	S	LB	LR	LE	LC	级数 Series		
								L1	L2	L3
100	115	4-M8	19/22	95	55	8	100	155	193	231
110	130	4-M8	22	110	55	8	110	155	193	231
130	145	4-M8	22/24	110	65	10	130	155	193	231



VRB142外形图

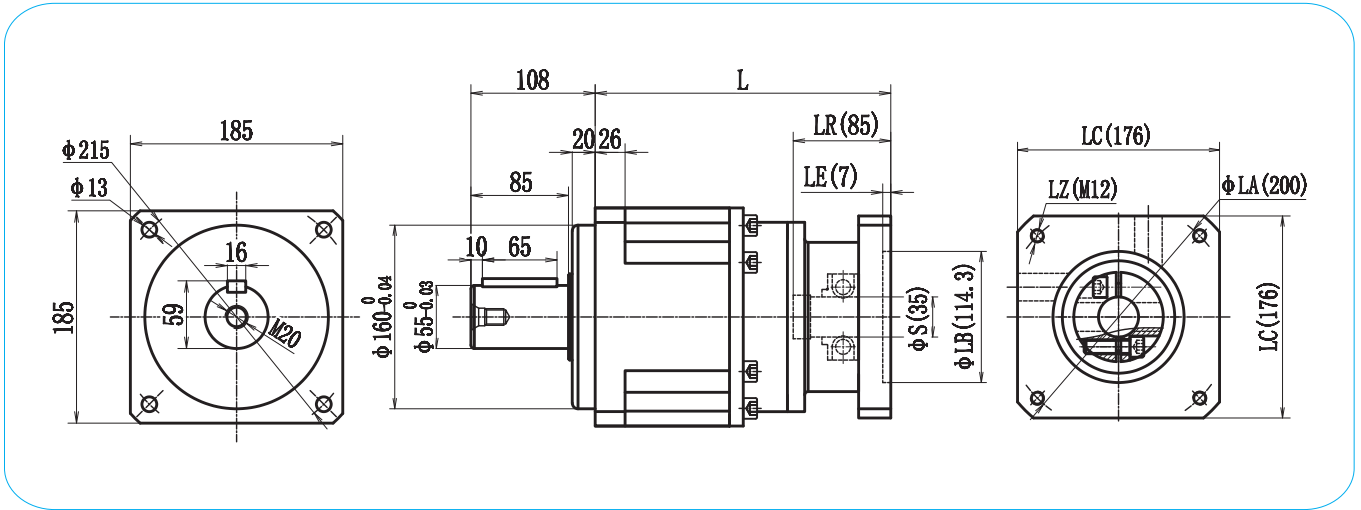
VRB142Appearance Figure



电机机座 Motor frame	LA	LZ	S	LB	LR	LE	LC	级数 Series		
								L1	L2	L3
130	145	4-M8	22/24	110	65	10	130	196	243	290
150	165	4-M10	28/32	130	65	10	150	196	243	290
180	200	4-M12	35	114.3	80	10	180	196	243	290

VRB180外形图

VRB180 Appearance Figure

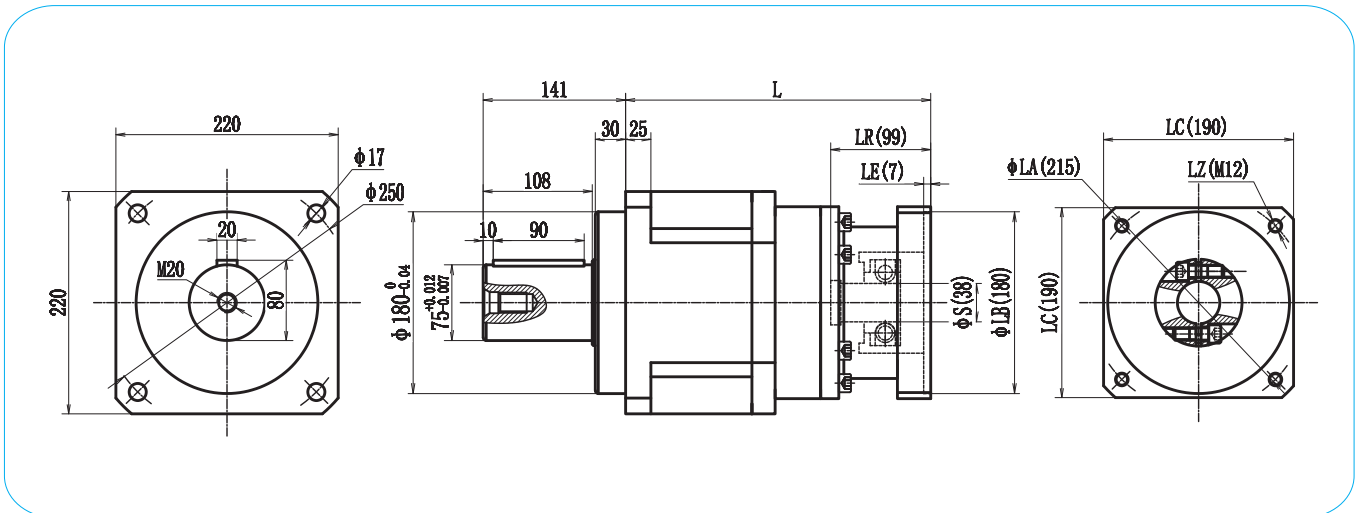


电机机座 Motor frame	LA	LZ	S	LB	LR	LE	LC	级数 Series		
								L1	L2	L3
150	165	4-M10	28/32	130	65	10	150	226	258	305
180	200	4-M12	35/42	114.3	80/114	10	180	226	258	305
190	215	4-M12	42/38	180	80	10	190	226	258	305



VRB220外形图

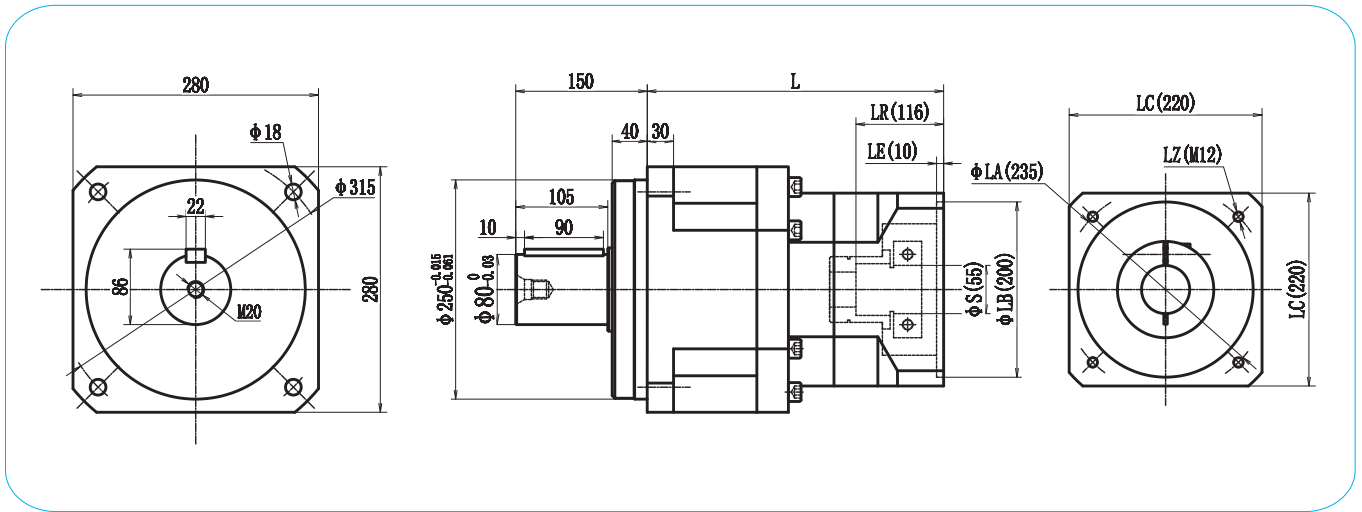
VRB220 Appearance Figure



电机机座 Motor frame	LA	LZ	S	LB	LR	LE	LC	级数 Series		
								L1	L2	L3
180	200	4-M12	35/42	114.3	80/114	10	180	231	302	334
190	215	4-M12	42/38	180	80	10	190	231	302	334
220	235	4-M12	55	200	110	10	220	261	332	---

VRB280外形图

VRB280 Appearance Figure

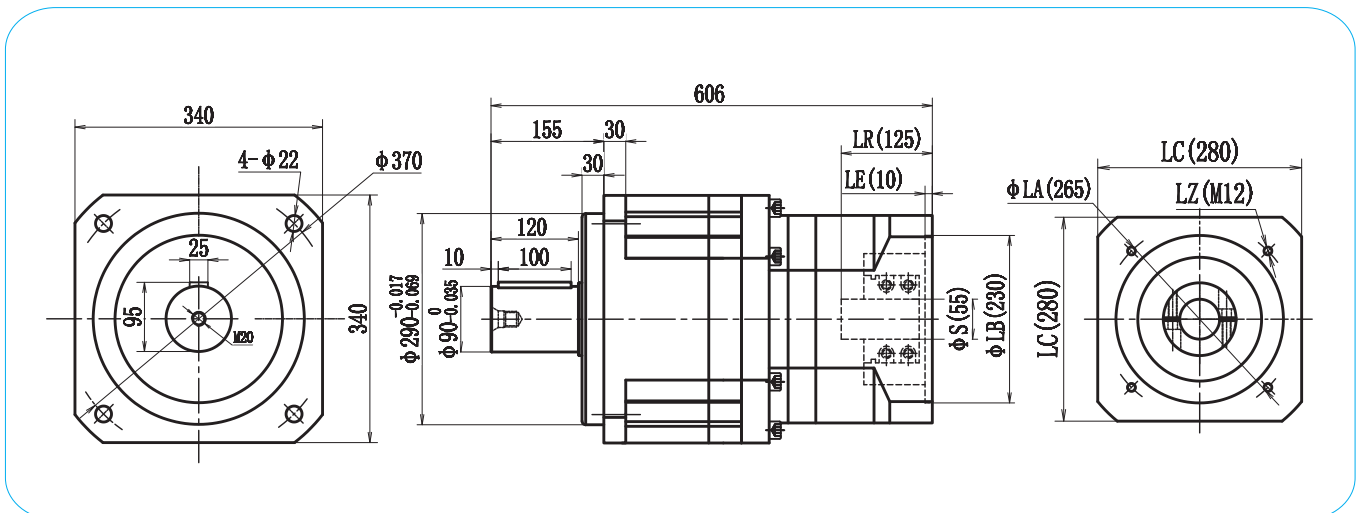


电机机座 Motor frame	LA	LZ	S	LB	LR	LE	LC	级数 Series		
								L1	L2	L3
220	235	4-M12	55	200	110	10	220	363	388	443
250	265	4-M12	60/65	230	140	10	250	393	418	---
280	300	4-M16	55/70	250	140	10	280	393	418	---



VRB340外形图

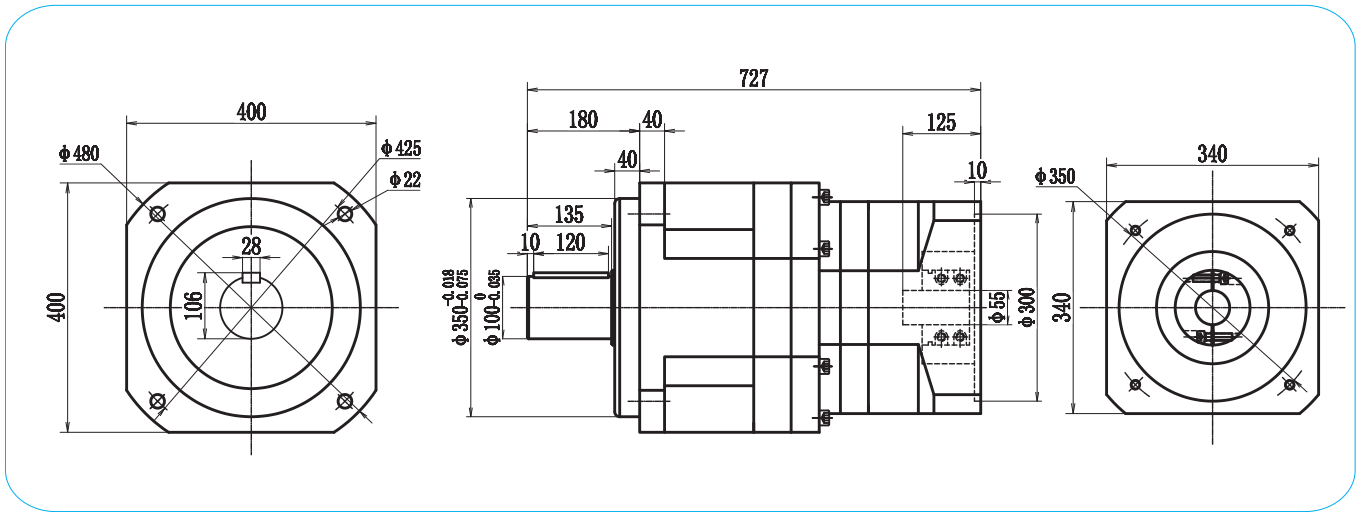
VRB340 Appearance Figure



电机机座 Motor frame	LA	LZ	S	LB	LR	LE	LC	级数 Series		
								L1	L2	L3
250	265	4-M12	60/65	230	140	10	250	389	472	532
280	300	4-M16	55/70	250	140	10	280	389	472	532
320	350	4-M18	80/90	300	170	10	320	419	502	---

VRB400外形图

VRB400 Appearance Figure



电机机座 Motor frame	LA	LZ	S	LB	LR	LE	LC	级数 Series		
								L1	L2	L3
250	265	4-M12	60/65	230	140	10	250	475	567	669
280	300	4-M16	55/70	250	140	10	280	475	567	669
320	350	4-M18	80/90	300	170	10	320	505	597	699

