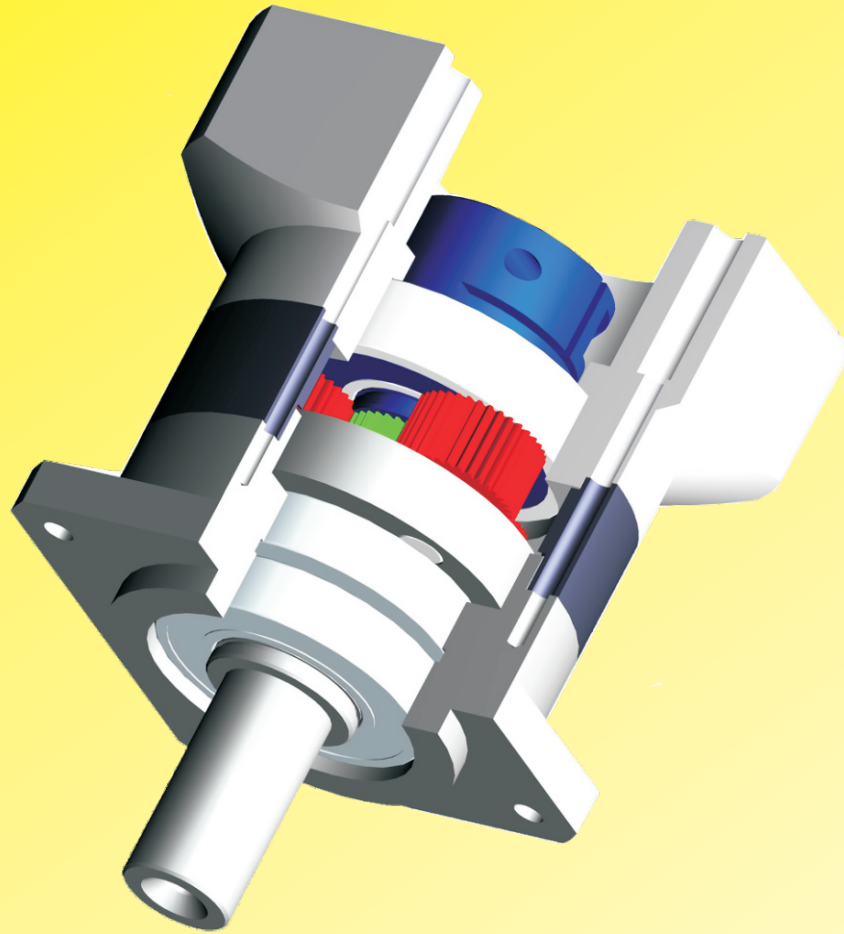


PLF系列行星减速机

PLF series planetary reducer

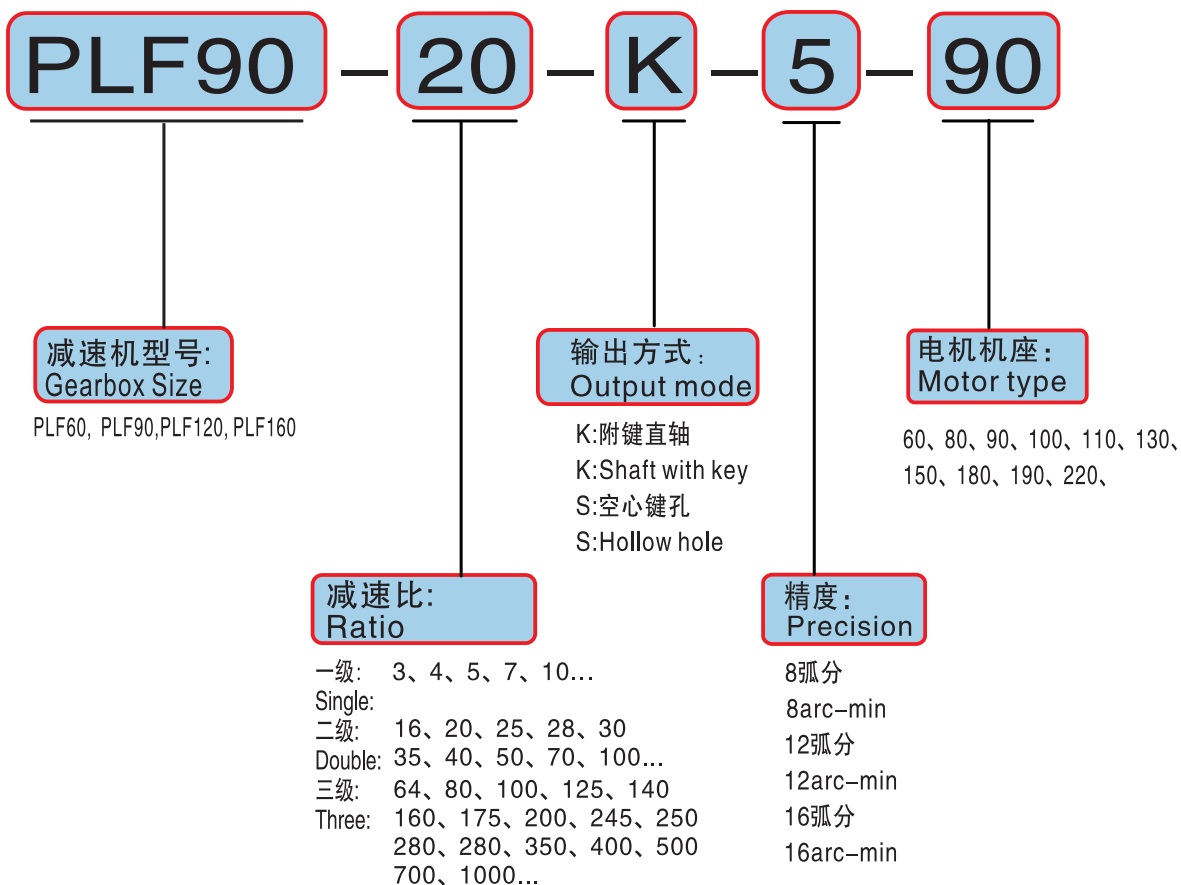


产品特点： 性价比高、直齿设计、速比多、寿命长、扭矩大、免维护。
Product features: High precision, high bearing capacity, high Speed ratio, Long life, low noise, maintenance free.

输入种类： 交流伺服马达、直流伺服马达、步进马达。
Type: AC servo motor, DC servo motor, stepping motor.

应用领域： 机床、军工、新能源设备、工业机器人、印刷设备、自动组
装线、等高精度场合的应用。
Application fields: Machine tools, military industry, newenergy
equipment, industrial robots, printing equipment, automatic
Assembly line, and other high precision applications.

订货型号表示： Ordering representation



减速机工况应用选择表 Application selection of gear reducer						
		使用系数(fs) Use coefficient(fs)				
负载类型 Load type	每小时启动次数Z Start times per hour Z	每日运行时间(h) Daily running time(h)				
		h≤4	4≤h≤8	8≤h≤12	12≤h≤16	16≤h≤24
平稳负载 Steady load	Z≤10	0.9	1.0	1.1	1.4	1.8
	10≤Z≤30	1.0	1.2	1.3	1.6	2.0
	30≤Z≤100	1.2	1.4	1.5	1.8	2.2
中等冲击负载 Medium impact load	Z≤10	1.2	1.4	1.5	1.8	2.2
	10≤Z≤30	1.4	1.6	1.65	2.0	2.5
	30≤Z≤100	1.6	1.8	2.0	2.2	2.8
冲击重载 Shock Overload	Z≤10	1.6	1.8	2.0	2.2	2.8
	10≤Z≤30	1.8	2.0	2.2	2.4	3.0
	30≤Z≤100	2.0	2.3	2.5	2.7	3.3

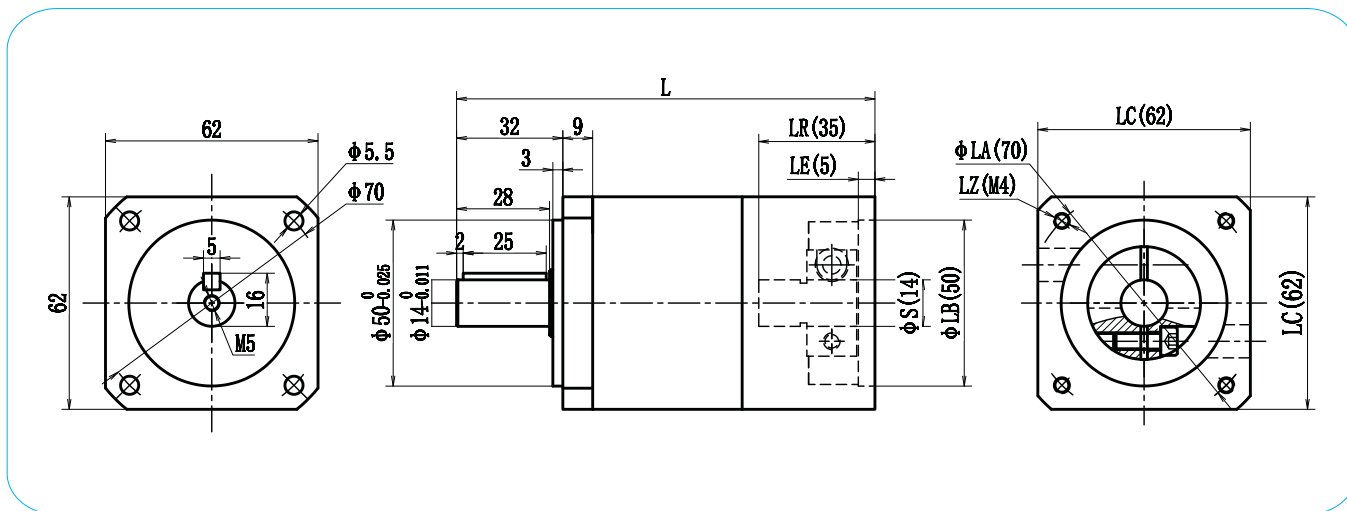
注：输出惯性大时,请加大一个型号选用；连续运转时工作寿命将降低一半。
Note: The output inertia is large, please increase the selection of a model;
Continuous operation working life will be reduced by half.

减速机性能参数 Gear performance parameters

规格 Specifications	单位 Unit	级数 Series	速比 Ratio	PLF60	PLF90	PLF120	PLF160
额定承受扭矩 T2B Rated torque T2B	Nm	L1	3	26	90	210	450
			4	42	125	260	550
			5	42	125	260	550
			7	30	110	220	430
			10	18	75	145	280
		L2	9	26	90	210	450
			12	26	90	210	450
			15	26	90	210	450
			16	42	125	260	550
			20	42	125	260	550
			25	42	125	260	550
			28	42	125	260	550
			30	26	90	210	450
			35	42	125	260	550
			40	42	125	260	550
			50	42	125	260	550
			70	30	110	220	430
			100	18	75	145	280
		L3	64	42	125	260	550
			80	42	125	260	550
			100	42	125	260	550
			125	42	125	260	550
			150	42	125	260	550
			160	42	125	260	550
			175	42	125	260	550
			200	42	125	260	550
			250	42	125	260	550
			280	42	125	260	550
			300	26	90	210	450
			350	42	125	260	550
			400	42	125	260	550
			500	42	125	260	550
			700	30	110	220	430
1000	18	75	145	280			
最大承受扭矩T2B Maximum torque T2B	Nm	L1 L2 L3	3-1000	2.0倍额定输出扭矩 2.0 times the rated output torque			
额定输入转数n1N Rated speed n1N	R/min	L1 L2 L3	3-1000	3000	3000	3000	2000
背隙 Back clearance	arcmin	L1	3-10	≤8	≤8	≤8	≤8
		L2	12-100	≤12	≤12	≤12	≤12
		L3	64-1000	≤16	≤16	≤16	≤16
容许径向力F1 Allowable radial force	N	L1 L2 L3	3-1000	500	500	1000	3000
容许轴向力F2 Allowable axial force	N	L1 L2 L3	3-1000	300	500	1000	2000
效率 η Efficiency	%	L1	3-10	95%	95%	95%	95%
		L2	9-100	92%	92%	92%	92%
		L3	64-1000	90%	90%	90%	90%
重量 Weight	kg	L1	3-10	1.3	3.6	7.5	16.0
		L2	9-100	1.5	4.2	9.5	20.0
		L3	64-1000	1.8	4.8	11.5	24.0
噪音 Noise	DB	L1 L2 L3	3-1000	≤55	≤55	≤60	≤70

PLF60外形图

PLF60 Appearance Figure

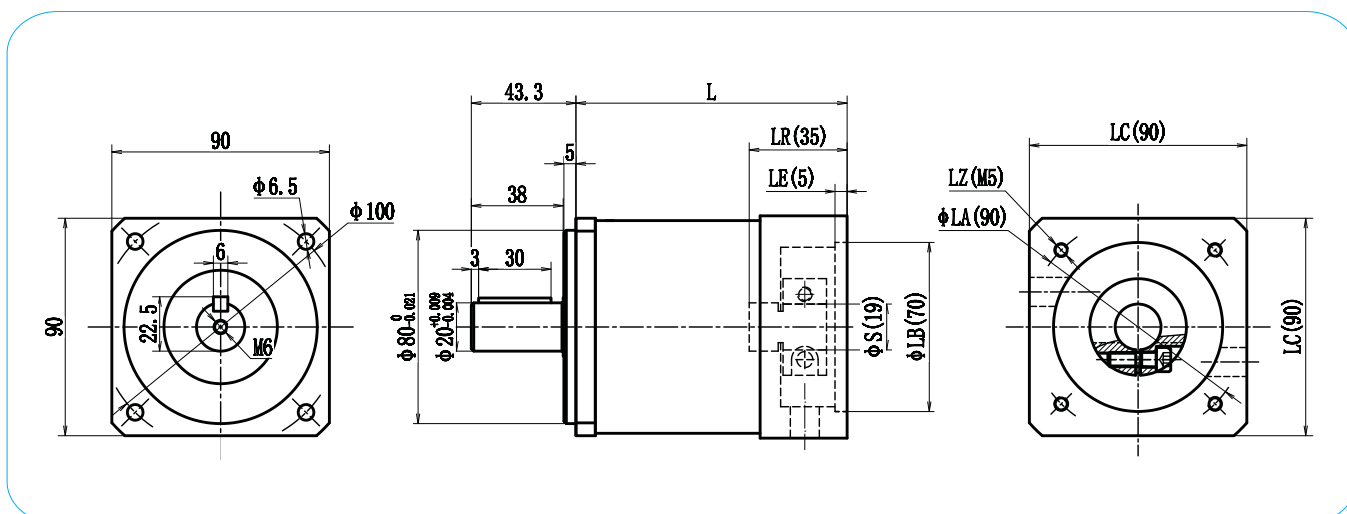


电机机座 Motor frame	LA	LZ	S	LB	LR	LE	LC	级数 Series		
								L1	L2	L3
40	45	4-M3	8	30	25	5	40	95	116	137
60	70	4-M4	11/14	50	30	5	60	95	116	137



PLF90外形图

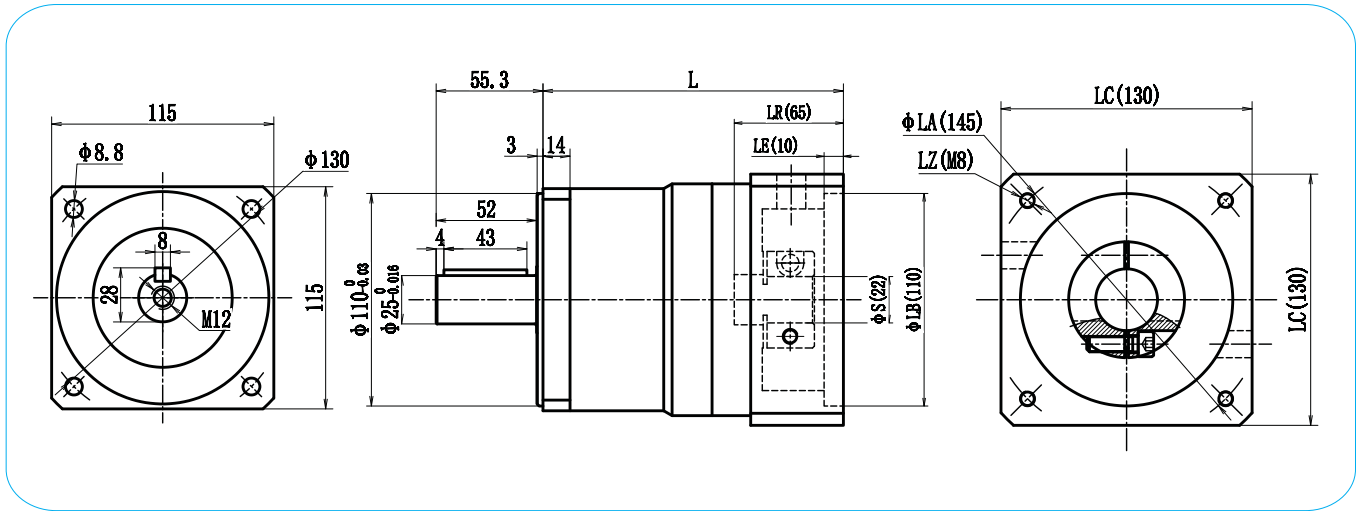
PLF90 Appearance Figure



电机机座 Motor frame	LA	LZ	S	LB	LR	LE	LC	级数 Series		
								L1	L2	L3
60	70	4-M4	11/14	50	30	5	60	120	150	180
80	90	4-M5	19	70	35	5	80	120	150	180
90	100	4-M6	16/19	80	35	5	90	120	150	180

PLF120外形图

PLF120 Appearance Figure

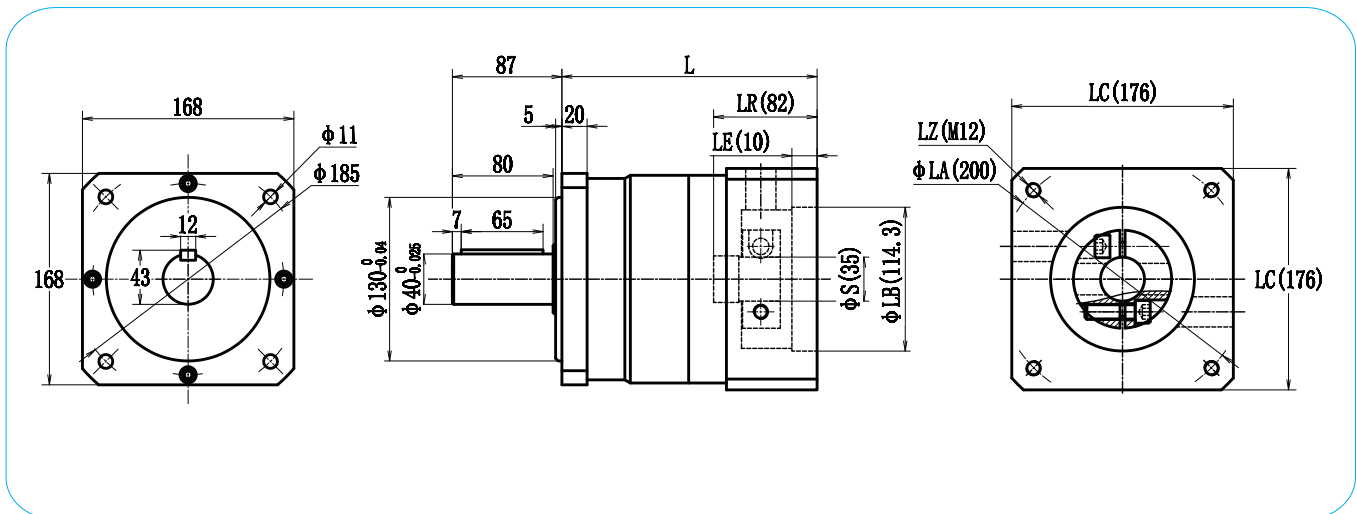


电机机座 Motor frame	LA	LZ	S	LB	LR	LE	LC	级数 Series		
								L1	L2	L3
100	115	4-M8	19/22	95	55	8	100	145	183	221
110	130	4-M8	22	110	55	8	110	145	183	221
130	145	4-M8	22/24	110	65	10	130	145	183	221



PLF160外形图

PLF160 Appearance Figure



电机机座 Motor frame	LA	LZ	S	LB	LR	LE	LC	级数 Series		
								L1	L2	L3
130	145	4-M8	22/24	110	65	10	130	186	234	282
150	165	4-M10	28/32	130	65	10	150	186	234	282
180	200	4-M12	35	114.3	80	10	180	186	234	282